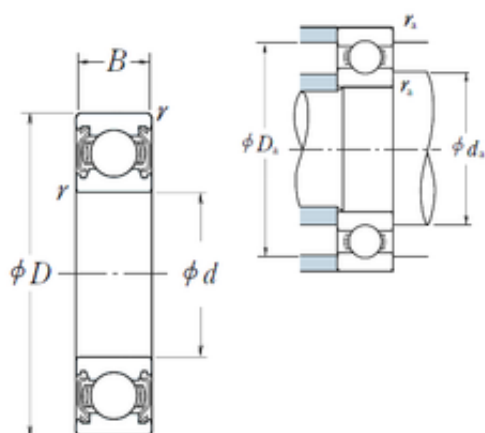




Toyana BEARING CORP. OF AMERICA



NSK Deep Groove Bearing 6202ZZ

Bearing No. 6202ZZ

Size	15x35x11 mm
Bore Diameter	15 mm
Outer Diameter	35 mm
Width	11 mm
d	15 mm
D	35 mm
B	11 mm
C	11 mm
r min.	0,6 mm
da min.	19 mm
da max	20,5 mm
Da max.	31 mm
ra max.	0,6 mm
Weight	0,045 Kg
Basic dynamic load rating (C)	7,65 kN
Basic static load rating (C0)	3,75 kN
(Grease) Lubrication Speed	20 000 r/min
Category	Single Row Ball Bearings
Inventory	0.0
Manufacturer Name	NSK
Minimum Buy Quantity	N/A
Weight / Kilogram	0.02
EAN	0029176014024
Product Group	B00308
Enclosure	2 Metal Shields
Precision Class	ABEC 1 ISO P0

6202ZZ Bearing 2D drawings and 3D CAD models



Toyana BEARING CORP.OF AMERICA

Maximum Capacity / Filling Slot	No
Rolling Element	Ball Bearing
Snap Ring	No
Internal Special Features	No
Cage Material	Steel
Internal Clearance	C0-Medium
Inch - Metric	Metric
Long Description	15MM Bore; 35MM Outside Diameter; 11MM Outer Race Diameter; 2 Metal Shields; Ball Bearing; ABEC 1 ISO P0; No Filling Slot; No Snap Ring; No Internal Special Features
Category	Single Row Ball Bearing
UNSPSC	31171504
Harmonized Tariff Code	8482.10.50.68
Noun	Bearing
Keyword String	Ball
Manufacturer URL	http://www.nskamericas.com
Manufacturer Item Number	6202ZZ
Weight / LBS	0.045
Bore	0.591 Inch 15 Millimeter
Outside Diameter	1.378 Inch 35 Millimeter
Outer Race Width	0.433 Inch 11 Millimeter
bore diameter:	15 mm
static load capacity:	3750 N
outside diameter:	35 mm
precision rating:	ABEC 1 (ISO Class Normal)
overall width:	11 mm
finish/coating:	Uncoated
bore type:	Round



Toyana BEARING CORP.OF AMERICA

cage material:	Steel
closure type:	Double Shielded
outer ring width:	11 mm
row type & fill slot:	Single Row Non-Fill Slot
fillet radius:	0.6 mm
internal clearance:	C0
maximum rpm:	24000 RPM
operating temperature range:	-10 to +110 ° C
series:	62
dynamic load capacity:	7650 N
SRI	3.01
hidYobi	6202ZZ
LangID	1
D_	35
SREX	0.03
B_	11
da min	19
hidTable	ecat_NSRDGB
SRE	3.16
mass	0.045
GRS rpm	20000
ra	0.6
SRIX	0.015
D_a	31
SRIN	0
C0	3.75
fo	13.2
SREN	0
DE_	31.453
Prod_Type3	DGBB_SR_ZZ
DA_	5.953
bomp	0



Toyana BEARING CORP.OF AMERICA

Z_	8
yobi	6202ZZ
C_conv	7650
ALPHA_	0
SDM_	25.5
r	0.6
KBRG	6141
SBRG	2
DI_	19.547